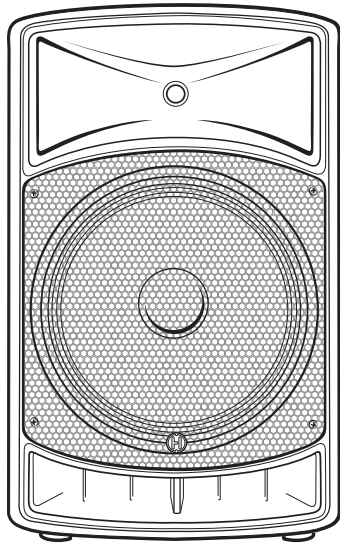
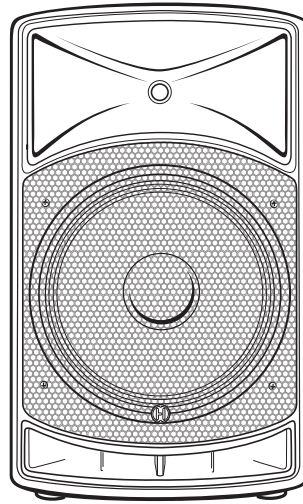




HARBINGER®



V2115
15" LOUDSPEAKER



V2112
12" LOUDSPEAKER

VâRi
S E R I E S™

MULTIPURPOSE
LOUDSPEAKERS



TABLE OF CONTENTS

Important Safety information	3
Quick Start Guide.....	5
VâRi Series Back Panel	6
Specifications	7
Warranty/FCC Statements.....	8

WELCOME

CONGRATULATIONS on your purchase of a Harbinger VâRi Series 600 Watt powered speaker. By following these guidelines and suggestions, your new Harbinger loudspeaker will provide you with many years of great sound and reliable service.

VâRi Series speakers are perfect for musicians, DJs, and presenters needing a flexible portable loudspeaker. The VâRi series can be used as a main speaker mounted on a stand, or a monitor speaker on the floor. Also, multiple VâRi Series speaker can be linked together to form a larger system.

Your new VâRi Series loudspeaker includes:

- Two-way, full-range powered speaker
 - V2115 15" driver and 1.35" compression driver
 - OR
 - V2112 12" driver and 1.35" compression driver
- 600 Watt Class-D amplifier with built-in Limiter
- 3 Channel Mixer with Line Out
 - Mic/instrument input
 - Line input
 - Aux input
 - Line output
- Dual band EQ
- Built-in 1 3/8" stand mount
- LED indicators for power and limiter

IMPORTANT SAFETY INSTRUCTIONS

Please keep this instruction manual for future reference and for the duration of owning the VâRi powered loudspeaker. Please carefully read and understand the instructions inside this owner's manual before attempting to operate your new powered loudspeaker.

This instruction manual includes essential safety information regarding the use and maintenance of the amplifier. Take special care to heed all warning symbols and signs inside this manual and those printed on the amplifier on the back of the loudspeaker.

WARNING

TO PREVENT FIRE OR SHOCK HAZARD, DO NOT EXPOSE THE AMPLIFIER TO WATER/MOISTURE, NOR SHOULD YOU OPERATE THE AMPLIFIER NEAR ANY WATER SOURCE.

The exclamation point triangular symbol is intended to alert the user to the presence of important operating and maintenance(servicing) instructions in the user manual accompanying the Amplifier.

The lightning flash with an arrow triangular symbol is intended to alert the user to the presence of non-insulated "dangerous voltage" within the product's enclosure, and may be of sufficient magnitude to constitute a risk of electric shock.

WARNING

Handle the power supply cord with care.

Do not damage or deform it as it may cause electric shock or malfunction when used. Hold the plug attachment when removing from wall outlet. Do not pull on the power cord.

IMPORTANT SAFETY PRECAUTIONS

1. READ INSTRUCTIONS - All the safety and operating instructions should be read before this product is operated.
2. RETAIN INSTRUCTIONS - The safety and operating instructions should be retained for future reference.
3. HEED WARNINGS - All warnings on the amplifier and in the operating instructions should be adhered to.
4. FOLLOW INSTRUCTIONS - All operating and use instructions should be followed.
5. DO NOT turn on the VâRi amplifier module before connecting all other external devices.
6. WATER AND MOISTURE - Moisture can damage the VâRi amplifier module and can cause corrosion of electrical contacts. The speaker system should not be used near water - for example, a bathtub, washbowl, kitchen sink, laundry tub, wet basement, or near a swimming pool, and the like.
7. CARTS AND STANDS - The speaker system should be used only with a cart or stand that is recommended by the manufacturer. A speaker and cart combination should be moved with care. Quick stops, excessive force, and uneven surfaces may cause the speaker and cart combination to overturn.
8. WALL OR CEILING MOUNTING - The product should never be mounted to a wall or ceiling.
9. HEAT - The loudspeaker on the back of the VâRi loudspeaker should be situated away from heat sources such as radiators, heat registers, stoves, or other sources (including amplifiers) that produce heat.
10. POWER SOURCES - This product should be operated only from the type of power source indicated on the rating label. If you are not sure of the type of power supply to your home, consult your product dealer or local power company.
11. GROUNDING OR POLARIZATION - Do not defeat the safety purpose of the polarization or grounding-type plug. The wide blade or the third prong is provided for your safety. If the provided plug does not fit your outlet, consult an electrician for replacement of the obsolete outlet. Do not defeat the safety purpose of the 3rd pin grounding prong.
12. POWER-CORD PROTECTION - Power supply cords should be routed so that they are not likely to be walked on or pinched by items placed upon or against them, paying particular attention to the cord in correspondence of plugs, convenience receptacles, and the point where they exit from the amplifier.
13. CLEANING - The speaker and amplifier should be cleaned only as recommended by the manufacturer. Clean by wiping with a dry cloth. Avoid getting water inside the speaker or amplifier.
14. NON-USE PERIODS - The power cord of the amplifier should be unplugged from the outlet when left unused for a long period of time.
15. OBJECT AND LIQUID ENTRY - Care should be taken so that objects do not fall and liquids are not spilled into the enclosure through openings.
16. DAMAGE REQUIRING SERVICE - The amplifier should be serviced by qualified service personnel when:
 - A. The power supply cord or the plug has been damaged; or
 - B. Objects have fallen, or liquid has been spilled into the amplifier; or
 - C. The amplifier has been exposed to rain; or
 - D. The amplifier does not appear to operate normally or exhibits a marked change in performance; or
 - E. The amplifier has been dropped, or the enclosure damaged.
17. Keep the speaker system out of extended or intense direct sun light.
18. No containers filled with any type of liquid should be placed on or near the speaker system.
19. SERVICING - The user should not attempt any service to the speaker and/or amplifier beyond that described in the operating instructions. All other servicing should be referred to qualified service personnel.
20. VENTILATION - Slots and openings in the amplifier are provided for ventilation and to ensure reliable operation of the product and to protect it from overheating. These openings must not be blocked or covered. The openings should never be blocked by placing the product on a bed, sofa, rug, or other similar surface. This product should not be placed in a built-in installation such as a bookcase or rack.
21. ATTACHMENTS - do not use attachments not recommended by the product manufacturer, as they may cause hazards.
22. ACCESSORIES - Do not place this product on an unstable cart, stand, tripod, bracket, or table. The product may fall, causing serious injury to a child or adult, and serious damage to the product. Use only with a cart, stand, tripod, bracket, or table recommended by the manufacturer, or sold with the product.

23. **LIGHTNING** – For added protection during a lightning storm, or when it is left unattended and unused for long periods of time, unplug it from the wall outlet. This will prevent damage to the product due to lightning and power-line surges.
24. **REPLACEMENT PARTS** – When replacement parts are required, be sure the service technician has used replacement parts specified by the manufacturer or have the same characteristics as the original part. Unauthorized substitutions may result in fire, electric shock, or other hazards.
25. **SAFETY CHECK** – Upon completion of any service or repairs to this product, ask the service technician to perform safety checks to determine that the product is in proper operating condition.
26. **FUSES** – Always use the correct rating and type of fuse as indicated on the rear panel of the amplifier. Note the proper rating fuse is determined by the AC line voltage in the country this speaker system is being operated. **COMPLETELY DISCONNECT POWER CORD FROM AMPLIFIER BEFORE ATTEMPTING TO REPLACE FUSE!**
27. **AC SELECT SWITCH:** This switch must be set to match the AC line voltage in the country this speaker system is being operated. To change the setting, loosen (do not remove) the two screws left and right the slide switch. Temporarily move the protective cover strip and slide the actuator to match the voltage in your country. Place the protective cover strip back over the switch and tighten the two screws. **COMPLETELY DISCONNECT POWER CORD FROM AMPLIFIER BEFORE ATTEMPTING TO CHANGE AC VOLTAGE SETTINGS!**
28. **HARBINGER VÂRI SERIES POWERED LOUDSPEAKERS ARE NOT DESIGNED FOR TEMPORARY OR PERMANENT SUSPENSION. ANY ATTEMPT TO SUSPEND A VÂRI SERIES CABINET COULD RESULT IN INJURY OR DEATH.**

To prevent electric shock, do not use a polarized plug with an extension cord, receptacle or other outlet unless the blades can be fully inserted to prevent blade exposure.

	CAUTION RISK OF ELECTRIC SHOCK DO NOT OPEN	AVIS RISQUE DE CHOC ELECTRIQUE NE PAS OUVRIR	
<p>CAUTION: To reduce the risk of electric shock, do not remove chassis. No user-serviceable parts inside. Refer servicing to qualified service personnel.</p> <p>AVERTISSEMENT: Pour réduire les risques d'incendie et d'électrocution, ne pas exposer ce matériel à la pluie ou à l'humidité.</p>			

THIS SYMBOL IS INTENDED TO ALERT THE USER TO THE PRESENCE OF IMPORTANT OPERATING AND MAINTENANCE (SERVICING) INSTRUCTIONS IN THE LITERATURE ACCOMPANYING THE UNIT.

APPARATUS SHALL NOT BE EXPOSED TO DRIPPING OR SPLASHING AND THAT NO OBJECTS FILLED WITH LIQUIDS, SUCH AS VASES, SHALL BE PLACED ON THE APPARATUS.

HEARING DAMAGE AND PROLONGED EXPOSURE TO EXCESSIVE SPLs

Harbinger VâRi Series powered loudspeakers are capable of producing extremely loud volume levels that can cause permanent hearing damage to performers, production crews or the audience. Hearing protection is recommended during long-term exposure to high SPLs (sound pressure levels).

Remember, if it hurts, it is definitely too loud! Long term exposure to high SPLs first causes temporary threshold shifts; limiting your ability to hear the actual loudness and exercise good judgment. Repeated long term exposure to high SPLs will cause permanent hearing loss.

Please note the recommended exposure limits in the accompanying table. More information about these limits is available on the US government Occupational Safety and Health (OSHA) website at: www.osha.gov

Permissible Noise Exposures (1)	
Duration per day, hours	Sound level dBA slow response
8	90
6	90
4	90
3	90
2	100
1.5	102
1	105
0.5	110
0.25 or less	115

QUICK START GUIDE

SETTING UP / HELPFUL TIPS

- Position the VâRi speaker in the desired location, and ensure the speaker is stable.
- Make certain the Power Switch is off.
- Make certain Input Gain 1 & 2, and Master Volume are down.

MAKING THE CONNECTIONS

- Plug connections to Input 1. Make certain the Mic/Line switch matches the source (Mic for microphones and instruments, Line for mixers, keyboards, or instruments with active pickups).
- Plug connections to Input 2 Note input 2 is a Line Input, and will not work well with a microphone.
- Plug connection to Aux In on MP3 player or computer.

POWERING UP

- Turn on the power to any devices plugged into Input 1, Input 2, or Aux Input.
- Power ON the speaker.
- Slowly turn the Master Volume to 12 o'clock.
- Slowly turn up the volume of the MP3 player to the desired level.
- Slowly turn Input 1 to the desired level.
- Slowly turn Input 2 to the desired level.

CLIP LIGHT

- If the Clip Light is constantly turning RED, one of the input signals is too high.
- Turn down the input signal that is distorting.

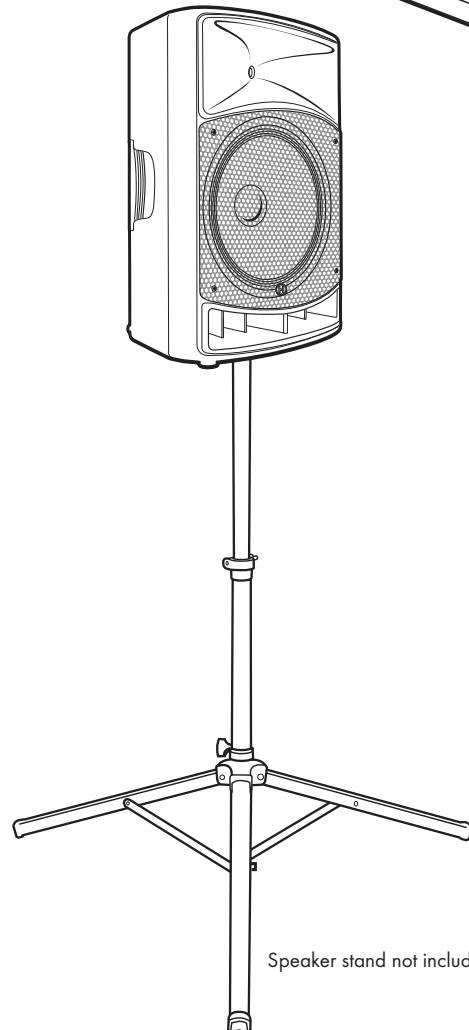
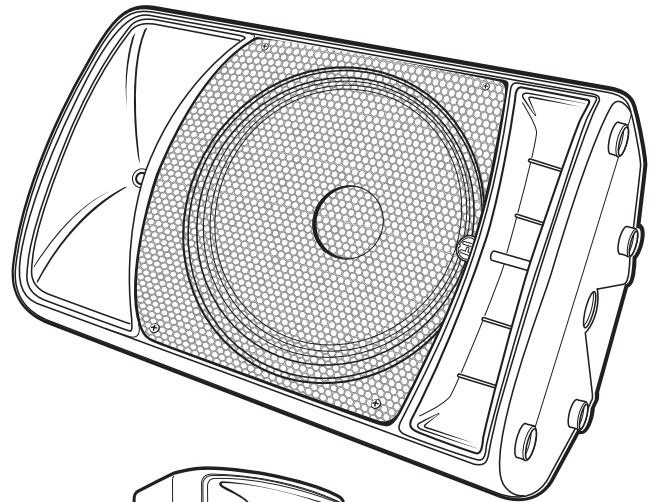
FLOOR MONITOR APPLICATIONS

- Turn the Low EQ down slightly to reduce unwanted rumble and low-frequency build-up. This will reduce feedback and make vocals clearer.

LINKING MULTIPLE SPEAKERS

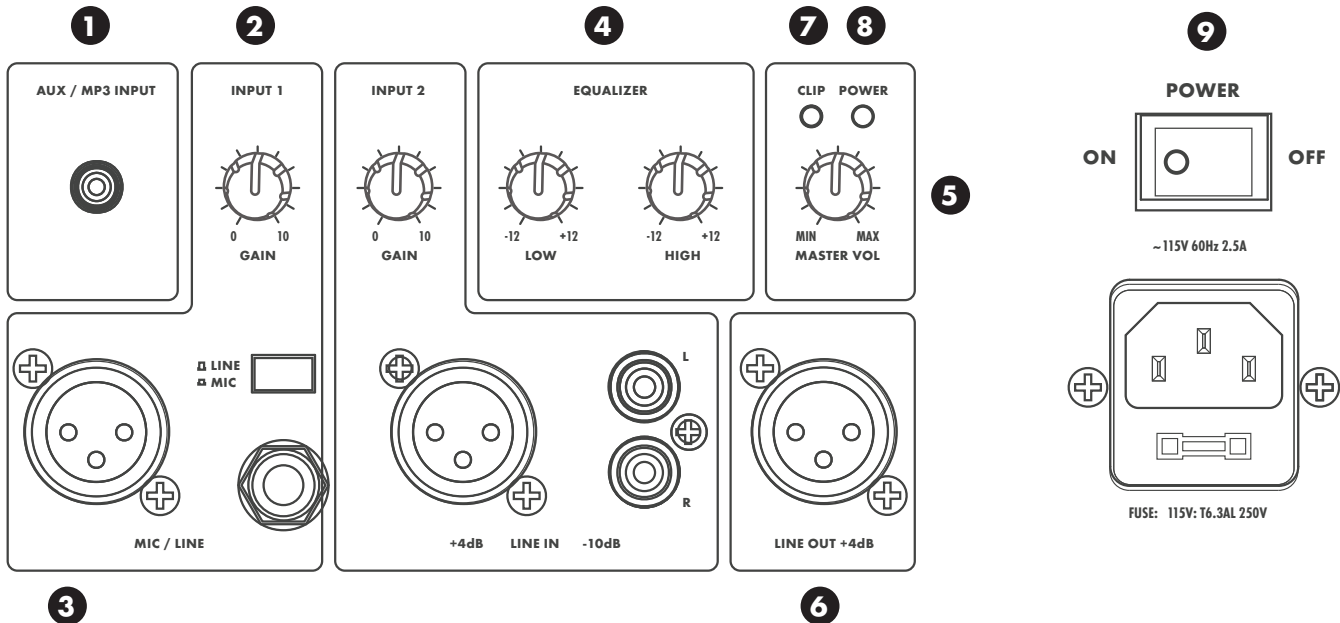
- If linking multiple speakers, plug the Line OUT connection of Speaker 1 to the Line In connection of Speaker 2, and continue the daisy chain to the last speakers (this is common where multiple monitor mixers share the same feed from the mixing board).
- Turn the Power On in the order of the audio signal to prevent unwanted "pops". First On / Last Off.

VâRi Series speakers can be used as Main Speakers or Monitor Speakers.



Speaker stand not included

VâRi SERIES BACK PANEL



1 MP3/AUX INPUT

$\frac{1}{8}$ " Stereo input for connecting MP3 Players or other devices to VâRi 2000 Series speaker. Note the MP3/Aux Input feeds directly to the Master Volume control, and does not have an input gain adjustment. For best results, adjust the volume on the MP3/Aux device to the desired level, then set the Mic/Instrument, Line Inputs, and Master Volume level.

2 MIC/LINE INPUT

The Mic/Line input features a balanced XLR jack, and balanced/unbalanced TRS (tip/ring/sleeve) $\frac{1}{4}$ " jack. Set the Mic/Line button to match the input device to prevent distortion. Unbalanced $\frac{1}{4}$ " instrument jacks may be used here (start with the button in Line setting. If the gain is too low, turn the volume down, select Mic, and slowly raise the volume). For best results, use only the XLR or $\frac{1}{4}$ " jack, not both.

3 LINE INPUT

The Line put features a balanced XLR jack, and unbalanced RCA jack. For best results, use only the XLR or RCA jack, not both.

4 2 BAND EQ

The LOW EQ will provide +/- 12dB of boost or cut below 100Hz. Turn the LOW EQ up to add bass or warmth to the speaker. Turn the LOW EQ down to remove rumble and noise when the program material does not contain low frequencies, or when using the speaker as a floor monitor.

The HIGH EQ will provide +/- 12dB of boost or cut above 10kHz. Turn the HIGH EQ up to add clarity and definition to vocals, acoustic instruments, or backing tracks. Turn the HIGH EQ down to reduce hiss or feedback.

5 MASTER VOLUME

The Master Volume controls the overall volume of all 3 inputs.

6 LINE OUTPUT

The Line Output is used to link multiple speakers together using the same audio signal. Connect the Line Output of the first speaker to the Line Input of the next speaker in the signal path.

7 CLIP LED

The CLIP LED indicates that the speaker is being overdriven, and the limiter is engaged. If the CLIP LED is constantly lit, first reduce the Gain on the Input channels.

8 POWER LED

The Power LED indicates that the VâRi speaker's AC power cord is connected to an electrical outlet, and the Power Switch is turned on.

9 POWER SWITCH

Turns the VâRi speaker on or off.

SPECIFICATIONS

HARBINGER VâRi Series		V2112	V2115
Amplifier	Input 1	XLR / TRS Balanced input with Mic/Line Switch (-45dB/-10dB) and Input Gain Control	XLR / TRS Balanced input with Mic/Line Switch (-45dB/-10dB) and Input Gain Control
	Input 2	XLR +4dB Balanced jack, RCA -10dB Unbalanced Jacks and Input Gain Control	XLR +4dB Balanced jack, RCA -10dB Unbalanced Jacks and Input Gain Control
	AUX Input	1/8" Mini TRS Unbalanced Jack(-10dB) For MP3 Players. Direct To Master Volume Control	1/8" Mini TRS Unbalanced Jack(-10dB) For MP3 Players. Direct To Master Volume Control
	Line Output	XLR line output +4dB	XLR line output +4dB
	Power Output	600W Peak	600W Peak
	Low EQ	+/-12dB Shelf, 100Hz	+/-12dB Shelf, 100Hz
	High EQ	+/-12dB Shelf at 10kHz	+/-12dB Shelf at 10kHz
	Volume	volume control per channel / main volume control	volume control per channel / main volume control
	Power Input	115V /60 Hz	115V /60 Hz
	Features		Class-D Amplifier Design
		Removable AC Power Cord	Removable AC Power Cord
		Signal / Clip LED	Signal / Clip LED
		Power LED	Power LED
Speaker	Type	12" 2-way vented design	15" 2-way vented design
	Frequency Response	55-20K Hz	45-20K Hz
	Max SPL	118dB (at max amp output)	120dB (at max amp output)
	HF Driver	1.35" Compression Driver, 8 Ohm	1.35" Compression Driver, 8 Ohm
	LF Driver	12" Driver With 2" Voice Voil, 8 Ohm	15" Driver With 2" Voice Voil, 8 Ohm
	Cabinet	Molded Plastic Construction with Top and Side Handles	Molded Plastic Construction with Top and Side Handles
	Grill	1.2mm steel	1.2mm steel
	Suspension Points	<i>V2112 Is Not Designed For Suspension</i>	<i>V2115 Is Not Designed For Suspension</i>
	Pole Mount	35mm stand pole with M6 screw	35mm stand pole with M6 screw
	Product Dimensions	385x348x596mm	460x415x702mm
Packaging Information	Packaging Size	445x415x680mm	520x470x775mm
	Net Weight	16kg	19kg
	Gross Weight	17.5kg	20.5kg

WARRANTY

So we may serve you better, please register on-line at www.HarbingerProAudio.com

2 YEAR HARBINGER LIMITED WARRANTY

Harbinger provides, to the original purchaser, a two (2) year limited warranty on materials and workmanship on all Harbinger cabinets, loudspeaker and amplifier components from the date of purchase.

For warranty support, please visit our website at www.HarbingerProAudio.com, or contact our Support Team at **888-286-1809** for assistance. Harbinger will repair or replace the unit at Harbinger's discretion.

This warranty does not cover service or parts to repair damage caused by neglect, abuse, normal wear and tear and cosmetic appearance to the cabinetry not directly attributed to defects in materials or workmanship. Also excluded from coverage are damages caused directly or indirectly due to any service, repair(s), or modifications of the cabinet, which has not been authorized or approved by Harbinger. This two (2) year warranty does not cover service or parts to repair damage caused by accident, disaster, misuse, abuse, burnt voice-coils, over-powering, negligence, inadequate packing or inadequate shipping procedures.

The sole and exclusive remedy of the foregoing limited warranty shall be limited to the repair or replacement of any defective or non-conforming component. All warranties including, but not limited to, the express warranty and the implied warranties of merchantability and fitness for a particular purpose are limited to the two (2) year warranty period. Some states do not allow limitation on how long an implied warranty lasts, so the above limitation may not apply to you. There are no express warranties beyond those stated here. In the event that applicable law does not allow the limitation of the duration of the implied warranties to the warranty period, then the duration of the implied warranties shall be limited to as long as is provided by applicable law. No warranties apply after that period.

FCC STATEMENTS

1. Caution: Changes or modifications to this unit not expressly approved by the party responsible for compliance could void the user's authority to operate the equipment.
2. Note: This equipment has been tested and found to comply with the limits for a Class B digital device, pursuant to Part 15 of the FCC Rules. These limits are designed to provide reasonable protection against harmful interference in a residential installation. This equipment generate, uses, and can radiate radio frequency energy and, in not installed and used in accordance with the instructions, may cause harmful interference to radio communications. However, there is no guarantee that interference will not occur in a particular installation. If this

Retailer and manufacturer shall not be liable for damages based upon inconvenience, loss of use of product, loss of time, interrupted operation or commercial loss or any other incidental or consequential damages including but not limited to lost profits, downtime, goodwill, damage to or replacement of equipment and property, and any costs of recovering, reprogramming, or reproducing any program or data stored in equipment that is used with Harbinger products. This guarantee gives you specific legal rights; you may have other legal rights, which vary from state to state.

Harbinger P.O. Box 5111, Thousand Oaks, CA 91359-5111

All trademarks and registered trademarks mentioned herein are recognized as the property of their respective holders.

equipment does cause harmful interference to radio or television reception, which can be determined by turning the equipment off and on, the user is encouraged to try to correct the interference by one or more of the following measures:

- Reorient or relocate the receiving antenna
- Increase the separation between the equipment and receiver
- Connect the equipment into an outlet on a circuit different from that to which the receiver is connected
- Consult the dealer or an experienced radio/TV technician for help

