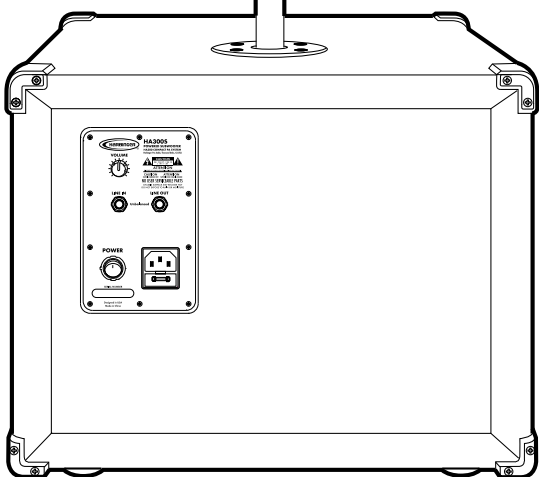
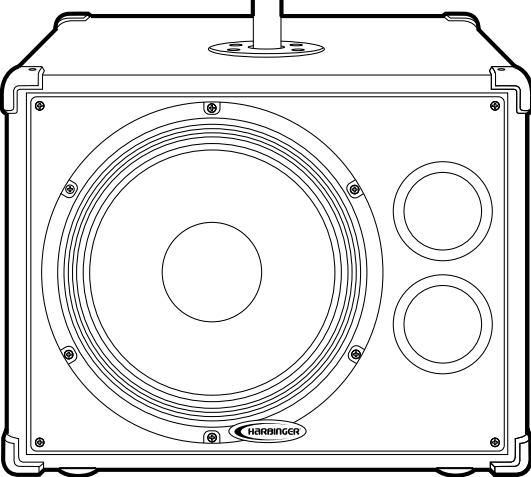
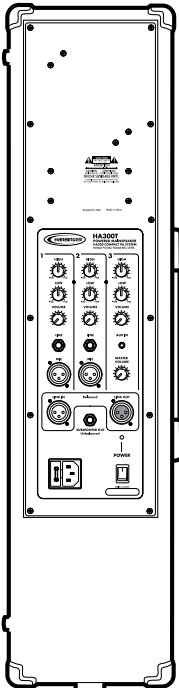
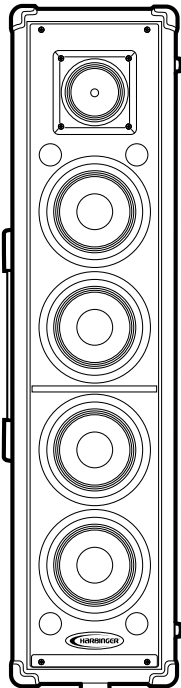




# OWNER'S MANUAL

## HA300 COMPACT PA SYSTEM

*HA300T Powered Mainspeaker  
and HA300S Powered Subwoofer*





# Welcome

Thank you for your purchase of the Harbinger® HA300 Compact PA System. It's packed with quality features usually found only on larger, more expensive systems. To get the most from your new HA300 Compact PA System (powered mainspeaker and subwoofer), please take a moment and read through this entire manual to learn about all its important features.

## **Your New PA System Includes:**

- 300 watts of full-range sound for small and medium spaces
  - HA300T 100W powered column array mainspeaker
  - HA300S 200W powered subwoofer
- Clarity and detail with extraordinary bass response
- Perfect for any mobile performer, presenter, or entertainer
- Built-in 3 channel mixer for mics, instruments, and playback sources
- Expandable, compact configuration
- Easily link two systems for stereo sound
- Includes 1 $\frac{3}{8}$ " speaker mounting pole

# Important Safety Instructions

## DANGER

Exposure to extremely high noise levels may cause permanent hearing loss. Individuals vary considerably to noise-induced hearing loss but most will lose some hearing if exposed to intense noise for a sufficient period of time.

The U.S. Government's Occupational Safety and Health Administration (OSHA) has specified the following permissible noise level exposures:

DURATION PER DAY (HOURS)	8	6	4	3	2	1
SOUND LEVEL (dB)	90	93	95	97	100	103

According to OSHA, any exposure in the above permissible limits could result in some hearing loss. Ear plugs or protectors in the ear canal or over the ears must be worn when operating this amplification system in order to prevent a permanent hearing loss. If exposure in excess of the limits as put forth above, to insure against potentially harmful exposure to high sound pressure levels, it is recommended that all persons exposed to equipment capable of inducing high sound pressure levels, such as this amplification system, be protected by hearing protectors while this unit is in operation.

**CAUTION**  
RISK OF ELECTRIC SHOCK  
DO NOT OPEN

**CAUTION:** TO REDUCE THE RISK OF ELECTRIC SHOCK, DO NOT REMOVE CHASSIS. NO USER-SERVICEABLE PARTS INSIDE. REFER SERVICING TO QUALIFIED SERVICE PERSONNEL.

*AVIS: RISQUE DE CHOC ELECTRIQUE-NE PAS OUVRIR.*



THIS SYMBOL IS INTENDED TO ALERT THE USER TO THE PRESENCE OF NON-INSULATED "DANGEROUS VOLTAGE" WITHIN THE PRODUCT'S ENCLOSURE THAT MAY BE OF SUFFICIENT MAGNITUDE TO CONSTITUTE A RISK OF ELECTRIC SHOCK TO PERSONS



THIS SYMBOL IS INTENDED TO ALERT THE USER TO THE PRESENCE OF IMPORTANT OPERATING AND MAINTENANCE (SERVICING) INSTRUCTIONS IN THE LITERATURE ACCOMPANYING THE UNIT.



APPARATUS SHALL NOT BE EXPOSED TO DRIPPING OR SPLASHING AND THAT NO OBJECTS FILLED WITH LIQUIDS, SUCH AS VASES, SHALL BE PLACED ON THE APPARATUS.

## IMPORTANT SAFETY INSTRUCTIONS

1. Read all safety and operating instructions before using this product.
2. All safety and operating instructions should be kept for future reference.
3. Read and understand all warnings listed on the operating instructions.
4. Follow all operating instructions to operate this product.
5. This product should not be used near water, i.e. a bathtub, sink, swimming pool, wet basement, etc.
6. Use only a dry cloth to clean this product.
7. Do not block any ventilation openings. The product should not be placed flat against a wall or placed in a built-in enclosure that will impede the flow of cooling air.
8. Do not install this product near any heat sources, such as radiators, heat registers, stoves or any other apparatus (including heat-producing amplifiers) that produces heat.
9. Do not defeat the safety purpose of the polarized or grounding-type plug. A polarized plug has two blades with one wider than the other. A grounding-type plug has two blades and a third grounding prong. The wide blade or the third prong are provided for your safety. If the provided plug does not fit into your outlet, consult an electrician for replacement of the obsolete outlet.
10. Protect the power cord being walked on or pinched, particularly at plugs, convenience receptacles and the point where they exit from the apparatus. Do not break the ground pin of the power supply cord.
11. Only use attachments specified by the manufacturer.
12. When a cart is used, use caution when moving cart/apparatus combination to avoid injury from tip-over.
13. Unplug this apparatus during lightning storms or when unused for long periods of time.
14. Care should be taken so that objects do not fall and liquids are not spilled into the unit through the ventilation ports or any other openings.
15. Refer all servicing to a qualified service professional. Servicing is required when the apparatus does not operate normally or has been damaged in any way, including damage to the power cord or plug, damage due to liquids spilled or objects dropped inside the unit, dropping the unit, or anything else that interrupts normal use of the unit.
16. **WARNING:** To reduce the risk of fire or electric shock, do not expose this apparatus to rain or moisture.
17. **Protective Ground Terminal.** The apparatus shall be connected to an AC main socket with a protective earth ground connection.



# Importantes Instructions De Securite

## DANGER

L'exposition a des niveaux eleves de bruit peut provoquer une perte permanente de l'audition, Chaque organisme humain reagit differemment quant a la perte de l'audition, mais quasiment tout le monde subit une diminution de l'acuite auditive lors d'une exposition suffisamment longue au bruit intense. Les autorites competentes en reglementation de bruit ont defini les expositions tolerees aux niveaux de bruits:

DURE EN HEURES PAR JOUR	8	6	4	3	2	1
INIVEAU SONORE CONTINU EN dB	90	93	95	97	100	103

Selon les autorites, toute exposition dans les limites citees ci-dessus, peuvent provoquer certaines pertes d'audition. Des bouchons ou protections dans l'appareil auditif ou sur l'oreille doivent etre portes lors de l'utilisation de ce systeme d'amplification afin de prevenir le risque de perte permanente de l'audition, Dans le cas d'expositions superieures aux limites precitees il est recommande, afin de se premunir contre les expositions aux pressions acoustiques elevees potentiellement dangeereuses, aux personnes exposees aux equipements capables de delivrer de telles puissances, tels ce systeme d'amplification en fonctionnement, de proteger l'appareil auditif.



**ATTENTION**

**RISQUE DE CHOC ELECTRIQUE,  
NE PAS OUVRIR.**



**ATTENTION:** AFIN DE LIMITER LE RISQUE DE CHOC ELECTRIQUE, NE PAS ENLEVER LE CHASSIS. NE CONTIENT PAS DE PIECES POUVANT ETRE REPARÉE PAR L'UTILISATEUR. CONFIER LE SERVICE APRES-VENTE AUX REPARATEURS AGREES.



CE SYMBOLE APOUR BUT D'AVERTIR L'UTILISATEUR DE LA PRESENCE DE VOLTAGE DANGEREUX NON-ISOLE A L'INTERIEUR DE CE PRODUIT QUI PEUT ETRE DE PUISSANCE SUFFISAMMENT IMPORTANTE POUR PROVOQUER UN CHOC ELECTRIQUE AUX PERSONNES



CE SYMBOLE APOUR BUT D'AVERTIR L'UTILISATEUR DE LA PRESENCE D'INSTRUCTIONS D'UTILISATION ET DE MAINTENANCE DANS LES DOCUMENTS FOURNIS AVEC CE PRODUIT



AFIN DE REDUIRE LES RISQUÉ D'INCENDIE ET DE DECHARGE ELECTRIQUE, NE PAS EXPOSER CET APPAREIL ALA PLUIE OU A L'HUMIDITE

## IMPORTANTES INSTRUCTIONS DE SECURITE

1. Lire avec attention toutes les recommandations et precautions d'emploi avant d'utiliser ce produit.
2. Toutes les recommandations et precautions d'emploi doivent être conservées afin de pouvoir s'y reporter si nécessaire.
3. Lire et comprendre tous les avertissements énumérés dans les precautions d'emploi.
4. Suivre toutes les precautions d'emploi pour utiliser ce produit.
5. Ce produit ne doit pas être utilisé près d'eau, comme par exemple baignoires, éviers, piscine, sous-sol humides ... Etc.
6. Utiliser exclusivement un chiffon sec pour nettoyer ce produit.
7. Ne bloquer aucune ouverture de ventilation. Ne pas placer le produit tout contre un mur ou dans une enceinte fermée, cela gênerait le flux d'air nécessaire au refroidissement.
8. Ne pas placer le produit près de toute source de chaleur telle que radiateurs, arrivées d'air chaud, fourneaux ou autres appareils générant de la chaleur (incluant les amplificateurs producteurs de chaleur).
9. Ne pas négliger la sécurité que procure un branchement polarisé ou avec raccordement à la terre, Un branchement polarisé comprend deux fiches dont l'une est plus large que l'autre. Un branchement à la terre comprend deux fiches plus une troisième reliée à la terre. Si la fiche secteur fournie ne s'insère pas dans votre prise de courant, consulter un 'électricien afin de remplacer votre prise obsolète.
10. Protéger le cordon d'alimentation de tout écrasement ou pincement, particulièrement au niveau des fiches, des réceptacles utilisés et à l'endroit de sortie de l'appareil. Ne pas casser la fiche de terre ducordon d'alimentation.
11. Utiliser uniquement les accessoires spécifiés par le constructeur.
12. Utiliser uniquement avec le chariot de transport, le support, le trépied, la console ou la table spécifiés par le constructeur ou vendus avec l'appareil. Lors de l'utilisation d'un chariot, bouger avec précaution l'ensemble chariot/appareil afin d'éviter les dommages d'un renversement.
13. Débrancher cet appareil lors d'orages ou s'il n'est pas utilisé pendant une longue période.
14. Des precautions doivent être prises afin qu'aucun objet ne tombe et qu'aucun liquide ne se répande à l'intérieur de l'appareil par les orifices de ventilation ou n'importe quelle autre ouverture.
15. Pour toutes interventions techniques s'adresser à un technicien qualifié. L'intervention technique est nécessaire lorsque l'appareil a été endommagé de n'importe quelle façon, comme par exemple si le cordon secteur ou sa fiche sont détériorés, si du liquide acoulé ou si des objets sont tombés à l'intérieur de l'appareil, si l'appareil a été exposé à la pluie ou à l'humidité, s'il ne fonctionne pas normalement ou s'il est tombé.
16. ATTENTION: Pour réduire le risque d'incendie ou de choc électrique ne pas exposer l'appareil à la pluie ou à l'humidité.
17. Quand la prise MAINS, au coupler, est utilisé pour la source d'alimentation électrique, il est conseillé de garder cette prise facilement accessible.





# Table of Contents

Welcome .....	2
Safety.....	3
HA300T Mainspeaker Overview .....	6
HA300T Mainspeaker Diagram.....	7
HA300S Subwoofer Overview.....	8
HA300S Subwoofer Diagram .....	9
HA300 Quick Start .....	10
HA300 Applications .....	10
HA300T Specifications.....	12
HA300T Block Diagram .....	13
HA300S Specifications / Block Diagram.....	14
Warranty / FCC Statements .....	15



# HA300T Mainspeaker Overview

## Rear Panel

**This is where you may plug in microphones, instruments, keyboards, drum machines or other audio devices and adjust the volume, bass and treble.**

### 1. POWER

This turns the HA300T mainspeaker on and off.

### 2. XLR MIC Input Jack Channel 1-2

Balanced. Appropriate for microphones, or balanced connections from amplifiers or DI boxes.

### 3. 1/4" LINE Input Jack Channel 1-2

Balanced or unbalanced. Appropriate for instrument or line level equipment connections.

### 4. AUX IN Channel 3

Unbalanced stereo 3.5mm mini jack input for CD/MP3 players.

### 5. CHANNEL VOLUME

This is the volume control for individual input channels.

### 6. LOW EQ

This is the bass control used to boost or cut low frequencies on the input channel using a low shelf filter with +/- 15dB of boost or cut, below 800Hz. Useful for removing rumble on vocal or acoustic guitar inputs.

### 7. HIGH EQ

This is the treble control used to boost or cut high frequencies on the input channel, using a high shelf filter with +/- 15dB of boost or cut above 4kHz. Useful for adding clarity to vocals or acoustic guitars, or removing hiss or unwanted cymbal pick-up.

### 8. MASTER VOLUME

This knob is used to control the overall output level of the HA300T mainspeaker, and output level to the Subwoofer Out. This does not affect the Link Output or Link Input levels.

### 9. LINK IN

This balanced XLR line input accepts the Link Output from another HA300T.

### 10. LINK OUT

This balanced XLR line output connects to the Link In from another HA300T using a standard Mic cable. Channels from both HA300T's are summed together.

#### Using Link In and Link Out:

Channels from both HA300T's are summed together. Use the channel volume controls to get the mix of the 6 channels (If a channel is not used turn the volume all the way down). MASTER volume controls the loudness of the mix through its HA300T. It does not affect volume of linked HA300T.

*NOTE: The shield connection (pin 1) on this jack is connected to chassis ground. It is not lifted.*

### 11. SUBWOOFER OUT

This line level, unbalanced 1/4" output sends the low frequency signal to the HA300S powered subwoofer, but will work with any powered subwoofer that accepts a line level input.

#### Using Subwoofer Out:

A crossover is activated when plugging a standard 1/4" mono (tip/sleeve) plug into this jack. The crossover point is 150Hz. Frequencies 150Hz and below go to subwoofer output jack at all times.

Frequencies 150Hz and above go to HA300T speakers. HA300T speakers are full range when the subwoofer out jack is not used.

*NOTE: A standard 1/4" mono (tip/sleeve) SHIELDED instrument cable is recommended as the sleeve connection to ground activates the crossover on HA300T speakers.*

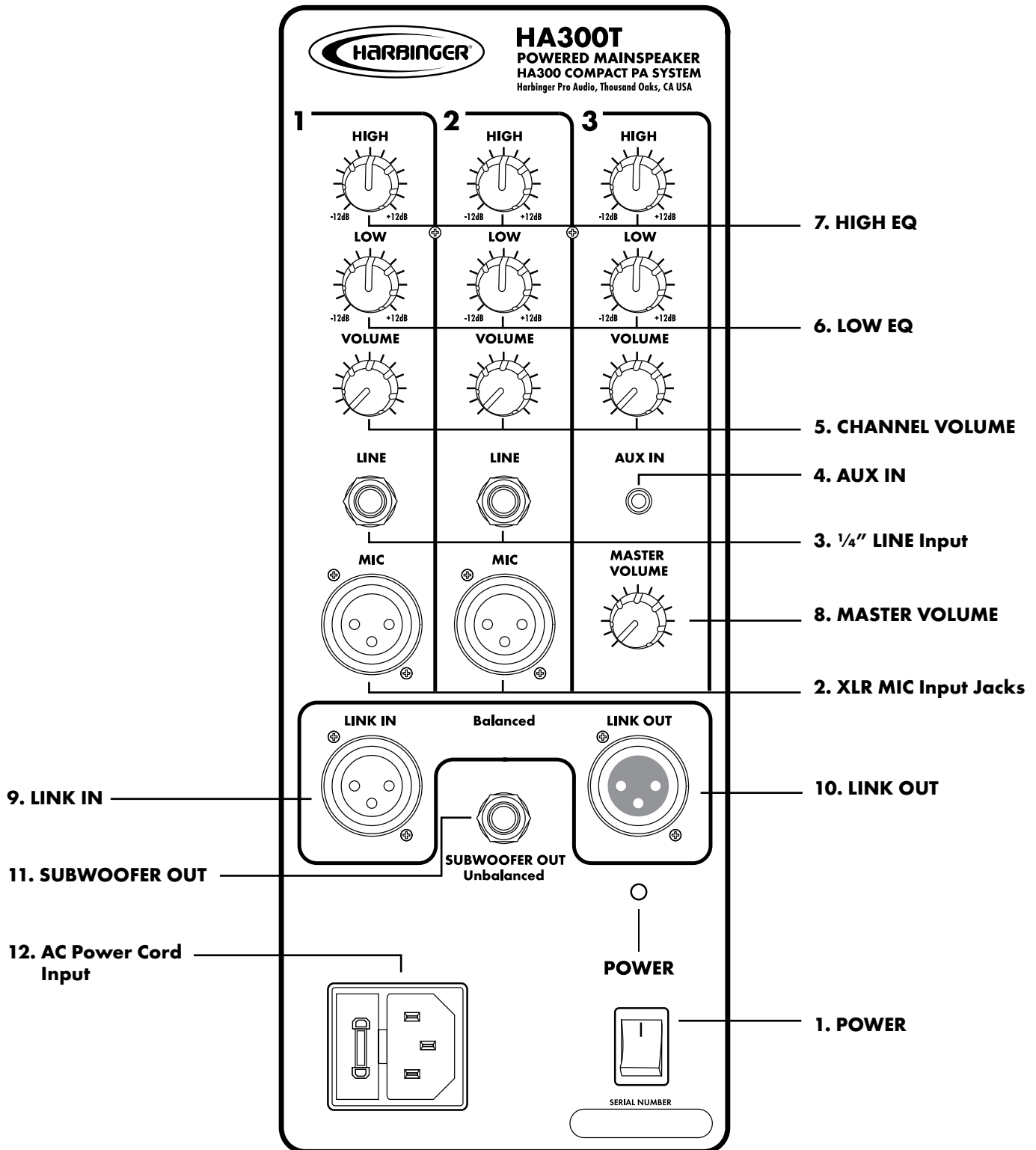
### 12. AC Power Cord Input

This is the AC Mains connection. Use only the specified IEC cable or a UL listed replacement IOEC cable and 120V/60Hz outlet.



# HA300T Mainspeaker Diagram

## Rear Panel





# HA300S Subwoofer Overview

## Rear Panel

### 1. POWER

This turns the HA300S subwoofer on and off.

### 2. VOLUME

Controls the volume of HA300S subwoofer. Adjust to get the best mix between your HA300T mainspeaker and HA300S. It is common for this control to be set between 1/2 and full.

### 3. LINE IN

Unbalanced 1/4" line input for the HA300S subwoofer. Intended to receive signal from the subwoofer output of the HA300T mainspeaker.

*NOTE: **DO NOT** connect the speaker outputs on a power amp to this jack.*

### 4. LINE OUT

Unbalanced 1/4" line output that matches the Line In signal. Use the Line Out jack to link additional HA300S subwoofers.

### 5. AC Power Cord Input

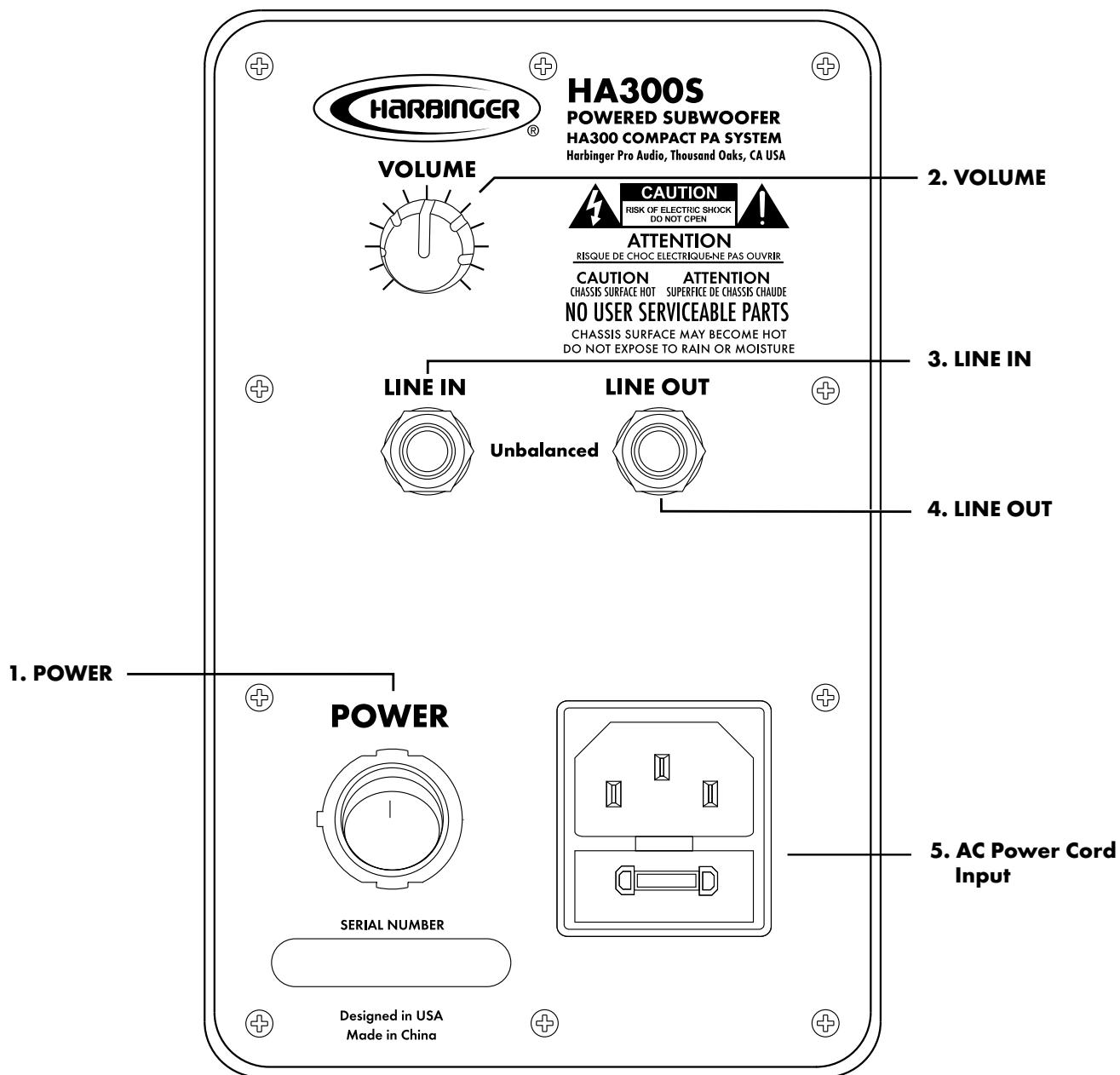
This is the AC Main connection. Use only the specified IEC cable or a UL listed replacement IOEC cable and 120V/60Hz outlet.





# HA300S Subwoofer Diagram

## Rear Panel





# HA300 Quick Start

## Ensure the HA300's power is turned off.

- Place the HA300S on the floor.
- Insert the included speaker pole into the HA300S.
- Mount the HA300T onto the speaker pole.
- Connect the HA300T Subwoofer Out to the HA300S Line In using the included 1/4" - 1/4" unbalanced cable.
- Turn down all volume and level controls.
- Plug sources such as microphones, instruments, or CD/MP3 players into the front panel jacks.

- Plug in all AC connections for sound system and sources.
- Turn AC Power switch to "On".
- Slowly turn the HA300T Main Level to 12 o'clock.
- Slowly turn the Level control on each input Channel up to the desired volume level.
- Slowly turn the HA300S volume up to desired bass level.

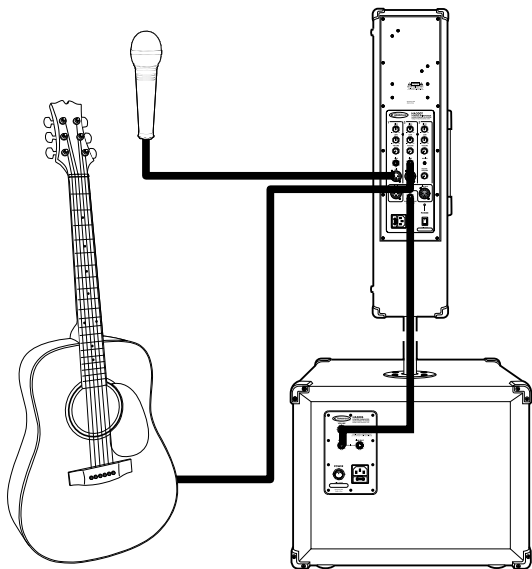
*NOTE: Speakers should be placed in a location that allows for unobstructed (line-of-sight) sound projection to the audience.*

# HA300 Applications

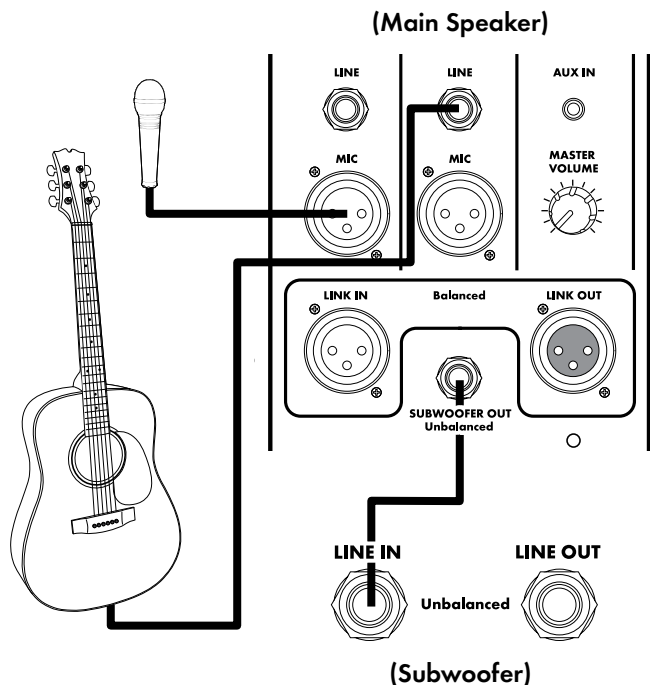
The HA300 Compact PA System is versatile and can be used in various configurations to suit any venue or performance situation. For your

convenience, we've described some of the more common setups below. **NOTE:** Some acoustic guitar pickups perform better with a DI box.

## 1. Solo Performance

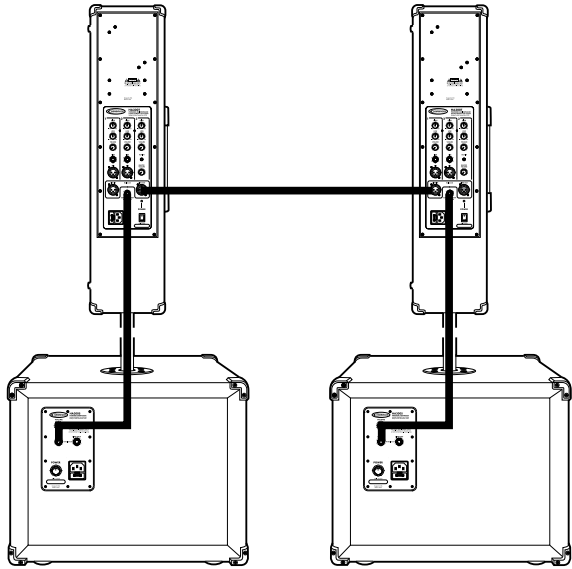


REAR VIEW

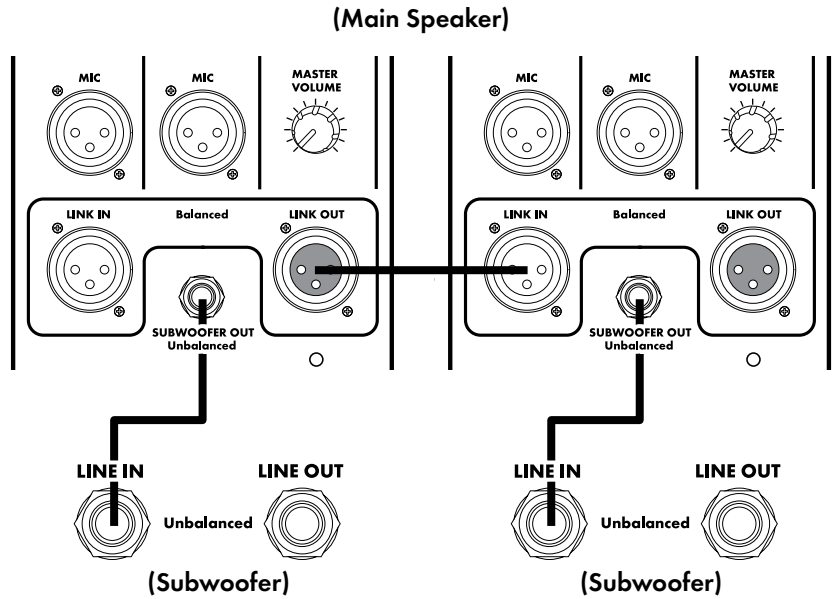


REAR VIEW DETAIL

## 2. Linking Multiple Systems (mono)

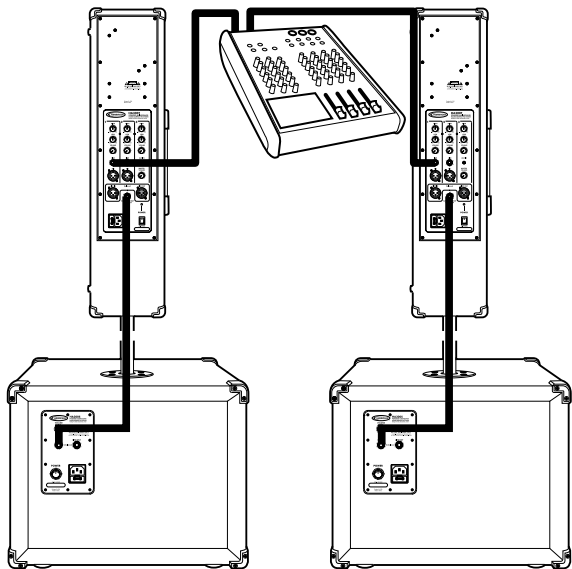


REAR VIEW

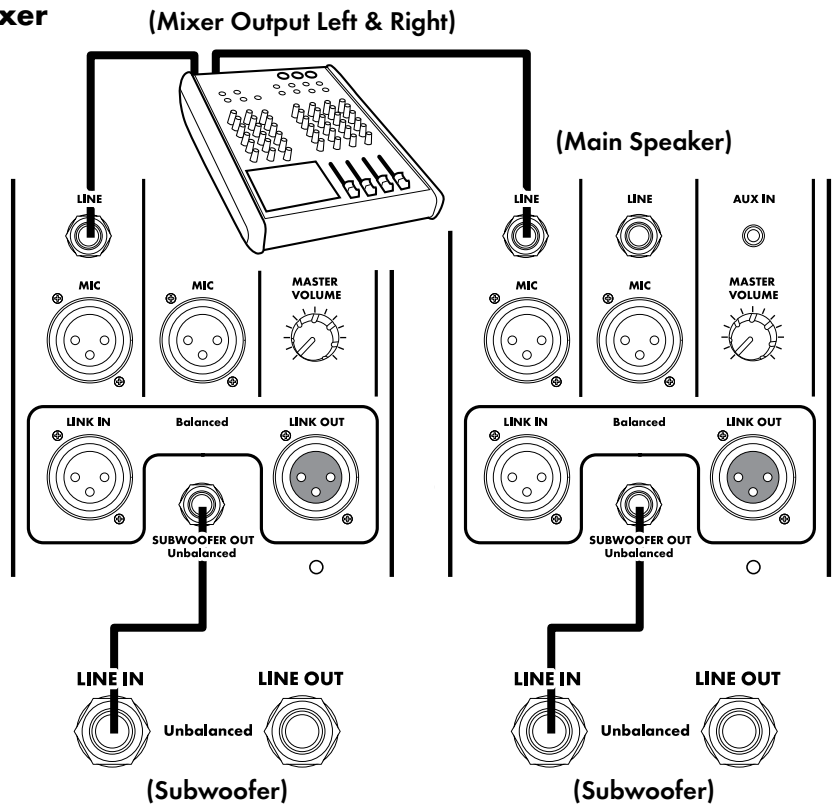


REAR VIEW DETAIL

## 3. Stereo Connection From An External Mixer



REAR VIEW



REAR VIEW DETAIL

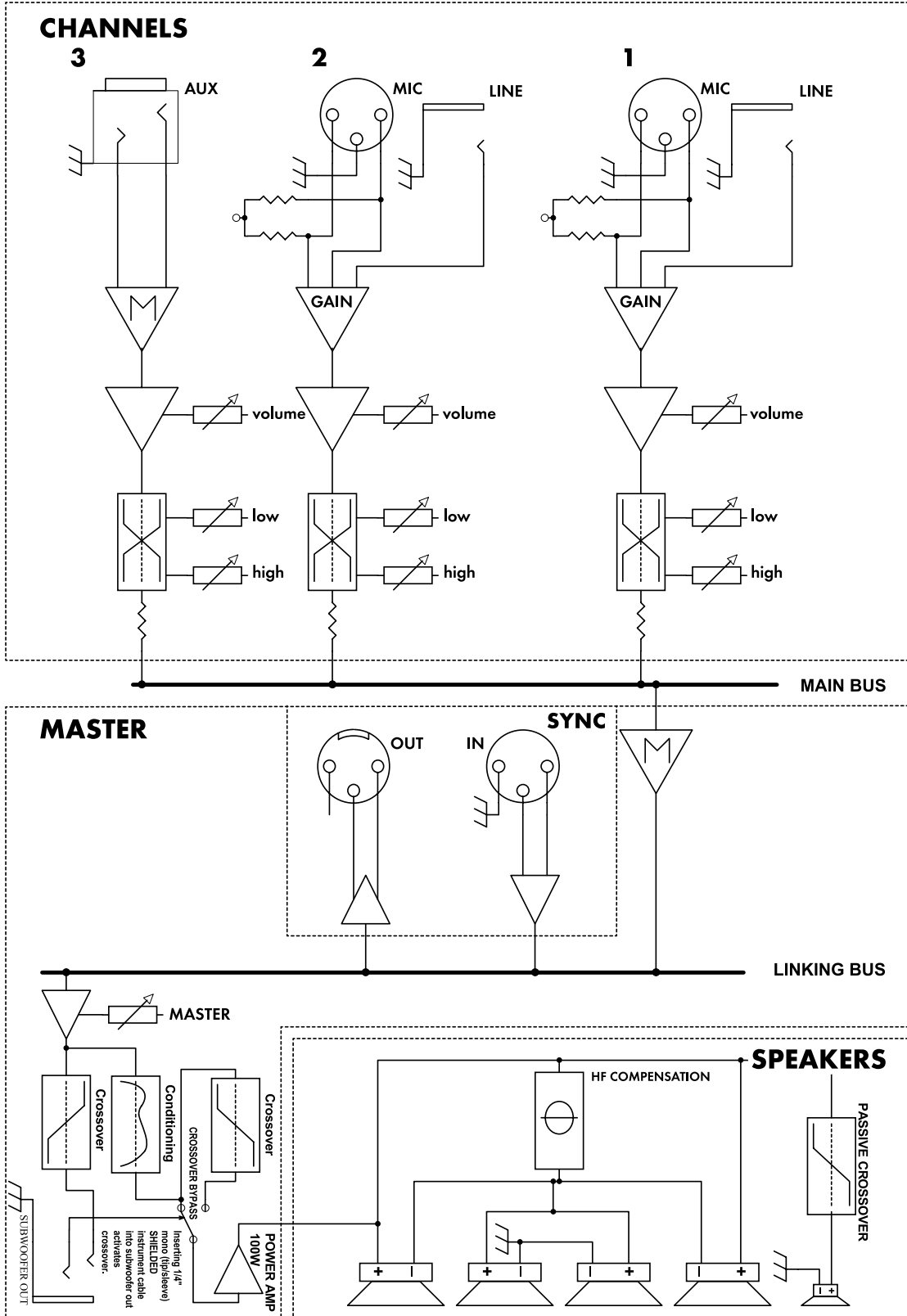


# HA300T Specifications

## Powered Mainspeaker

<b>Output Power</b>	100W	4 Ohm load, Internal
<b>Accepted Inputs</b>	CH 1 and 2 CH3	Mic XLR Balanced, Line level ¼" Unbalanced ⅛" Headphone/line Level Stereo, mixed mono
<b>Frequency Response</b>	20HZ-20kHz	Actual response is tailored speaker-to-cabinet for accurate acoustical response
<b>Hum &amp; Noise</b>	-56dB -48dB	Residual Noise, all level controls 0% (minimum) Nominal System Noise, all level controls at 50%
<b>System Gain</b>	+70dB +56dB +42dB	Mic to Speaker Output (CH 1 & 2) Line to Speaker Output (CH 1 & 2) AUX IN to Speaker Output
<b>Channel EQ (HIGH, LOW)</b>	4kHz and above, 800Hz and below	
<b>LINK IN &amp; LINK OUT</b>	Both jacks accept a balanced input and sends a pre-master volume output	
<b>Subwoofer Out</b>	Line Out	20Hz-150Hz
<b>Power Requirements</b>	USA/Canada	120VAC/60Hz, 160W nominal
<b>Speakers</b>	Four 4½" drivers	50W 4 Ohm each
<b>Horn</b>	3½" piezo driver	
<b>Power Capacity</b>	100W	RMS
<b>Frequency Response</b>	60HZ-20kHz 150HZ-20kHz	Full range (subwoofer jack not used) Crossover Active (¼" mono plug in subwoofer jack)
<b>Nominal Impedance</b>	4 Ohms, Internal	Not designed for external speakers
<b>Dimensions &amp; Weight</b>	mm/kg Inches/Pounds	190 (width), 715 (height), 165 (depth), 10.57 kg 7½ (width), 28 (height), 6½ (depth), 23.3 lb
<b>Fuse</b>	T1.6A L 250V	

# HA300T Block Diagram



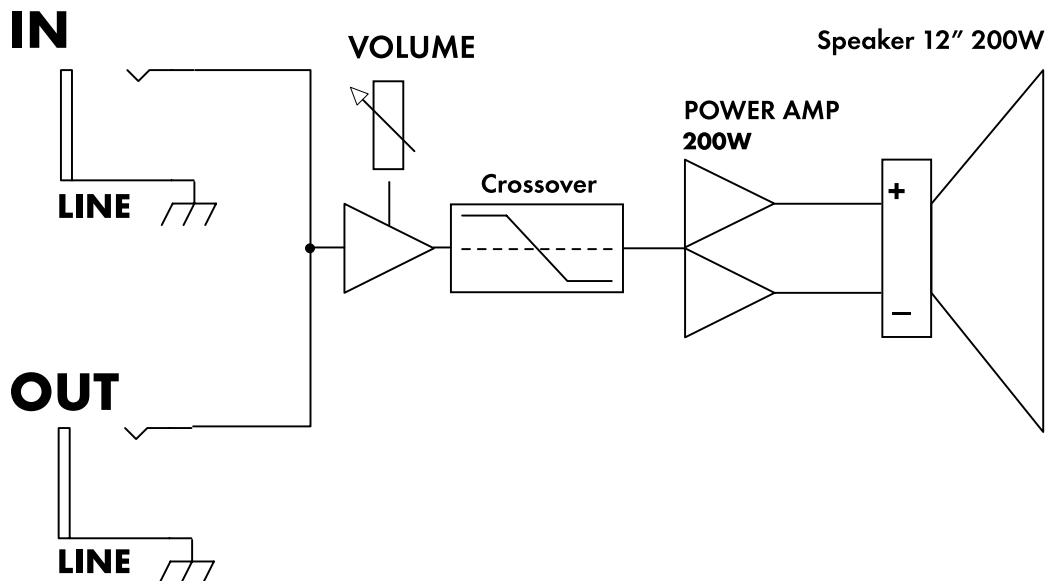


# HA300S Specifications

## Powered Subwoofer

<b>Output Power</b>	200W	8 Ohm load, Internal
<b>Accepted Inputs</b>	Line Level	1/4" Unbalanced
<b>Frequency Response</b>	35Hz -150Hz	System response with built-in crossover
<b>Hum &amp; Noise</b>	-60dB -58dB	Residual Noise, Volume 0% (minimum)) Nominal System Noise, Volume 100%
<b>System Gain</b>	+40dB	Input to Speaker Output
<b>Power Requirements</b>	USA/Canada	120VAC/60Hz, 400W maximum
<b>Speaker</b>	12"	200W 8 Ohm
<b>Dimensions &amp; Weight</b>	mm/kg Inches/Pounds	450 (width), 360 (height), 550 (depth), 21.5 kg 17 3/4 (width), 14 (height), 21 5/8 (depth), 47.5 lb
<b>Fuse</b>	T5A L 250V	

## Block Diagram





# Warranty

**So we may serve you better, please register on-line at [www.HarbingerProAudio.com](http://www.HarbingerProAudio.com)**

**2** **Harbinger Limited Warranty** Harbinger provides to the original purchaser a two (2) year limited warranty on materials and workmanship on all Harbinger cabinets and loudspeaker components from the date of purchase.

If your covered product is defective, ship the defective component together with proof of purchase – freight prepaid and insured – to an Authorized Harbinger repair center. Please contact Harbinger Support Headquarters for assistance at [support@HarbingerProAudio.com](mailto:support@HarbingerProAudio.com), or visit [www.HarbingerProAudio.com](http://www.HarbingerProAudio.com).

A Return Authorization Number must be obtained from our Customer Service Department prior to shipping the product. To locate a repair center near you and to obtain a Return Authorization Number, contact [support@HarbingerProAudio.com](mailto:support@HarbingerProAudio.com) or visit [www.HarbingerProAudio.com](http://www.HarbingerProAudio.com).

## FCC Statements

1. Caution: Changes or modifications to this unit not expressly approved by the party responsible for compliance could void the user's authority to operate the equipment.
2. Note: This equipment has been tested and found to comply with the limits for a Class B digital device, pursuant to Part 15 of the FCC Rules. These limits are designed to provide reasonable protection against harmful interference in a residential installation. This equipment generate, uses, and can radiate radio frequency energy and , in not installed and used in accordance with the instructions, may cause harmful interference to radio communications. However, there is no guarantee that interference will not occur in a particular installation. If this equipment does cause harmful interference to radio or television reception, which can be determined by turning the equipment off and on, the user is encouraged to try to correct the interference by one or more of the following measures:
  - Reorient or relocate the receiving antenna
  - Increase the separation between the equipment and receiver
  - Connect the equipment into an outlet on a circuit different from that to which the receiver is connected
  - Consult the dealer or an experienced radio/TV technician for help



**SOUND**ENGINEERING  
[www.harbingerproaudio.com](http://www.harbingerproaudio.com)

This warranty does not cover service or parts to repair damage caused by neglect, abuse, normal wear and tear and cosmetic appearance to the cabinetry not directly attributed to defects in materials or workmanship. Also excluded from coverage are damages caused directly or indirectly due to any service, repair(s), or modifications of the cabinet, which have not been authorized or approved by Harbinger. This two (2) year warranty does not cover service or parts to repair damage caused by accident, disaster, misuse, abuse, burnt voice-coils, over-powering, negligence, inadequate packing or inadequate shipping procedures. The sole and exclusive remedy of the foregoing limited warranty shall be limited to the repair or replacement of any defective or non-conforming component. All warranties including, but not limited to, the express warranty and the implied warranties of merchantability and fitness for a particular purpose are limited to the two (2) year warranty period. Some states do not allow limitations on how long an implied warranty lasts, so the above limitation may not apply to you. There are no express warranties beyond those stated here. In the event that applicable law does not allow the limitation of the duration of the implied warranties to the warranty period, then the duration of the implied warranties shall be limited to as long as is provided by applicable law. No warranties apply after that period.

Retailer and manufacturer shall not be liable for damages based upon inconvenience, loss of use of product, loss of time, interrupted operation or commercial loss or any other incidental or consequential damages including but not limited to lost profits, downtime, goodwill, damage to or replacement of equipment and property, and any costs of recovering, reprogramming, or reproducing any program or data stored in equipment that is used with Harbinger products. This guarantee gives you specific legal rights. You may have other legal rights, which vary from state to state.

Harbinger  
P.O. Box 5111  
Thousand Oaks, CA 91359-5111

All trademarks and registered trademarks mentioned herein are recognized as the property of their respective holders.

Made in China  
1202-9709

