

HARBINGER®

HA120 Owner's Manual

4-Channel 120-Watt PA System



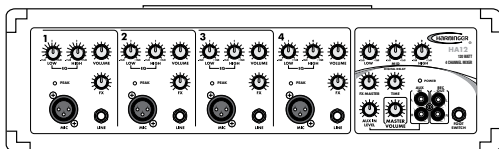
Welcome

Congratulations on your purchase of Harbinger's HA120 4-Channel 120-Watt PA System. Built with rugged, carpet-covered wood enclosures, the HA120 is the ideal choice for musicians looking for a PA that delivers great sound night after night.

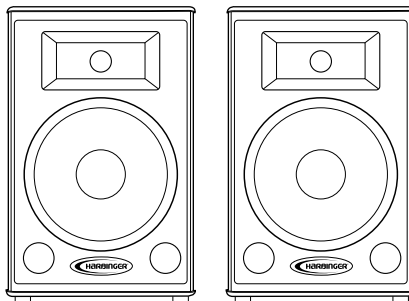
This manual will help you setup your new system. By following our guidelines and suggestions, your new Harbinger will provide many years of great sound and reliable service.

Your new PA includes:

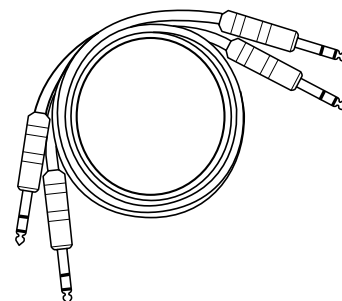
One Powered Mixer



Two Speaker Cabinets



Two Speaker Cables



BRIEF GLOSSARY OF TERMS

BALANCED

A 2-conductor (plus shield), low-impedance connection. Balanced cables are the preferred method for hum-free interconnection of a given sound system for their noise-rejection characteristics. (Also see Unbalanced.)

CHANNEL

One of any number of signal paths in an audio circuit, such as input channel, output channel, recording channel, left channel, right channel, etc.

DECIBEL (DB)

A term representing the ratio between different audio levels. For example, a ratio of 1000:1 = 60 dB.

DELAY

Like an echo, this effect duplicates the original signal, then plays it back at a rate you control. The rate at which these repeats occur is the "delay time."

EQUALIZATION

Electronic filters that adjust the level of certain frequencies. Used for tone enhancement or to reduce

extraneous sounds. Two types of EQ shapes are Peak and Shelving, described below.

IMPEDANCE

Resistance in an electrical circuit measured in Ohms (Ω). Maintaining proper impedance (between amplifier and speakers for example) is important to prevent damage to the amp.

PEAK EQUALIZER CONTROL

Increase or decrease of a frequency range centered at a specific point, resulting in an EQ curve that looks like a hill (increase) or a valley (decrease). (Also see Shelving Equalizer Control.)

SHELVING EQUALIZER CONTROL

Increase or decrease of all frequencies above or below a specific point. (Compare to Peak Equalizer Control.)

TRS (BALANCED)

Acronym for Tip-Ring-Sleeve – the three parts of a two-conductor (plus shield) audio plug. TRS phone plugs are often used for "balanced" connections.

TRS (UNBALANCED)

Another common TRS application is for "dual unbalanced" connections, such as insert send/return jacks or stereo Y-Cord. These are used for inserting an external processor into a signal path. (See page 6 of this manual.)

TS

Acronym for Tip-Sleeve, the two parts of an unbalanced, single-conductor (plus shield) phone plug. TS connectors are sometimes called mono or unbalanced plugs or jacks.

UNBALANCED

A single-conductor (plus shield), high-impedance connection. Most commonly used for instrument connections and cable runs of less than 20 feet.

XLR

The three-pin connector universally used for balanced audio connections. A balanced connection reduces outside noise and interference. (See Balanced above.)

FCC Statements

1. Caution: Changes or modifications to this unit not expressly approved by the party responsible for compliance could void the user's authority to operate the equipment.
2. Note: This equipment has been tested and found to comply with the limits for a Class B digital device, pursuant to Part 15 of the FCC Rules. These limits are designed to provide reasonable protection against harmful interference in a residential installation. This equipment generates, uses, and can radiate radio frequency energy and, if not installed and used in accordance with the instructions, may cause harmful interference to radio communications. However, there is no guarantee that interference will not occur in a particular installation. If this equipment does cause harmful interference to

radio or television reception, which can be determined by turning the equipment off and on, the user is encouraged to try to correct the interference by one or more of the following measures:

- Reorient or relocate the receiving antenna.
- Increase the separation between the equipment and receiver.
- Connect the equipment into an outlet on a circuit different from that to which the receiver is connected.
- Consult the dealer or an experienced radio/TV technician for help.

Important Safety Instructions

DANGER

Exposure to extremely high noise levels may cause permanent hearing loss. Individuals vary considerably to noise-induced hearing loss but most will lose some hearing if exposed to intense noise for a sufficient period of time.

The U.S. Government's Occupational Safety and Health Administration (OSHA) has specified the following permissible noise level exposures:

DURATION PER DAY (HOURS)	8	6	4	3	2	1
SOUND LEVEL (dB)	90	93	95	97	100	103

According to OSHA, any exposure in the above permissible limits could result in some hearing loss. Ear plugs or protectors in the ear canal or over the ears must be worn when operating this amplification system in order to prevent a permanent hearing loss. If exposure in excess of the limits as put forth above, to insure against potentially harmful exposure to high sound pressure levels, it is recommended that all persons exposed to equipment capable of inducing high sound pressure levels, such as this amplification system, be protected by hearing protectors while this unit is in operation.

CAUTION

RISK OF ELECTRIC SHOCK
DO NOT OPEN

NO USER SERVICEABLE PARTS
AVIS: Ne pas ouvrir l'appareil!
Danger de décharge électrique!
 CHASSIS SURFACE MAY BECOME HOT
 DO NOT EXPOSE TO RAIN OR MOISTURE
 CLASS 2 WIRING

THIS SYMBOL IS INTENDED TO ALERT THE USER TO THE PRESENCE OF NON-INSULATED "DANGEROUS VOLTAGE" WITHIN THE PRODUCT'S ENCLOSURE THAT MAY BE OF SUFFICIENT MAGNITUDE TO CONSTITUTE A RISK OF ELECTRIC SHOCK TO PERSONS

THIS SYMBOL IS INTENDED TO ALERT THE USER TO THE PRESENCE OF IMPORTANT OPERATING AND MAINTENANCE (SERVICING) INSTRUCTIONS IN THE LITERATURE ACCOMPANYING THE UNIT.

APPARATUS SHALL NOT BE EXPOSED TO DRIPPING OR SPLASHING AND THAT NO OBJECTS FILLED WITH LIQUIDS, SUCH AS VASES, SHALL BE PLACED ON THE APPARATUS.

IMPORTANT SAFETY INSTRUCTIONS

1. Read all safety and operating instructions before using this product.
2. All safety and operating instructions should be kept for future reference.
3. Read and understand all warnings listed on the operating instructions.
4. Follow all operating instructions to operate this product.
5. This product should not be used near water, i.e. a bathtub, sink, swimming pool, wet basement, etc.
6. Use only a dry cloth to clean this product.
7. Do not block any ventilation openings. The product should not be placed flat against a wall or placed in a built-in enclosure that will impede the flow of cooling air.
8. Do not install this product near any heat sources, such as radiators, heat registers, stoves or any other apparatus (including heat producing amplifiers) that produces heat.
9. Do not defeat the safety purpose of the polarized or grounding-type plug. A polarized plug has two blades with one wider than the other. A grounding-type plug has two blades and a third grounding prong. The wide blade or the third prong are provided for your safety. If the provided plug does not fit into your outlet, consult an electrician for replacement of the obsolete outlet.
10. Protect the power cord being walked on or pinched, particularly at plugs, convenience receptacles and the point where they exit from the apparatus. Do not break the ground pin of the power supply cord.
11. Only use attachments specified by the manufacturer.
12. Use only with the cart, stand, tripod, bracket, or table specified by the manufacturer or sold with the apparatus. When a cart is used, use caution when moving cart/apparatus combination to avoid injury from tip-over.
13. Unplug this apparatus during lightning storms or when unused for long periods of time.
14. Care should be taken so that objects do not fall and liquids are not spilled into the unit through the ventilation ports or any other openings.
15. Refer all servicing to a qualified service professional. Servicing is required when the apparatus does not operate normally or has been damaged in any way, including damage to the power cord or plug, damage due to liquids spilled or objects dropped inside the unit, dropping the unit, or anything else that interrupts normal use of the unit.
16. **WARNING:** To reduce the risk of fire or electric shock, do not expose this apparatus to rain or moisture
17. When a mains plug is used as the disconnect device, the disconnect device shall remain readily operable.



Input Channels

1 LOW EQ

This shelving control gives 15dB of boost or cut at 80Hz and below. Add warmth to vocals or extra punch to guitars, drums and synths by turning to the right. Turn to the left to reduce stage rumble, hum or a muddy sound.

2 HIGH EQ

This shelving control gives 15dB of boost or cut at 12KHz and above. Turn to the right to boost high frequencies, adding crispness to percussion from drum machines, cymbals and synths. Turn to the left to cut these frequencies, reducing sibilance or hiss.

3 VOLUME

This level control determines the proportion of the channel signal in the mix.

4 FX SEND

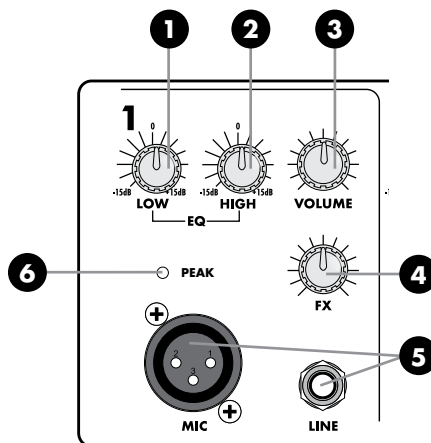
This level control sets the amount of signal that will be sent to the built-in digital delay effect.

5 MIC & LINE INPUT

This MIC input accepts male XLR while the LINE input accepts a 1/4" type phone plug. You can use only one of the two connectors at a time.

6 PEAK LED

This LED indicates that the input signal is too loud, and may distort the sound or damage the circuitry. If the PEAK LED consistently remains lit, reduce the output volume of the source, or lower the channel volume.



Master Section

1 MASTER EQ

LOW: This shelving control gives 15dB of boost or cut at 80Hz and below.

MID: This is a band peak equalizer with a control range of +/-15dB at 1KHz.

HIGH: This shelving control gives 15dB of boost or cut at 12KHz and above.

2 FX

This controls the signal from the input channels, processed by the built-in digital delay.

FX MASTER: This knob adjusts the mix level of the effect sound.

TIME: Turn this knob to the right to increase the interval time between delays, to the left to decrease.

3 POWER INDICATOR

When the power switch at the rear panel is turned on, this indicator will illuminate.

4 AUX IN CONTROL

This knob adjusts the level from the AUX Inputs to the Master Volume.

5 MASTER VOLUME

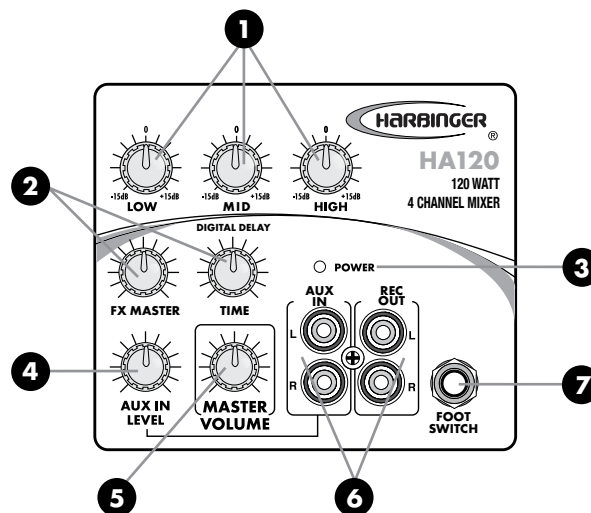
This knob adjusts the total output Volume. Turn Master Volume down before turning unit on or off.

6 AUX IN & REC OUT

The AUX IN Phono Jacks allow MP3/CD players to be connected to the amplifier. The RECORD OUTPUT RCA Phono Jacks provide signal output to audio equipment. The nominal output level and impedance are -10dBV/600ohms.

7 FOOTSWITCH

This jack accepts a footswitch (not included) to turn the digital delay on or off. Compatible with momentary footswitch (normal open circuit).

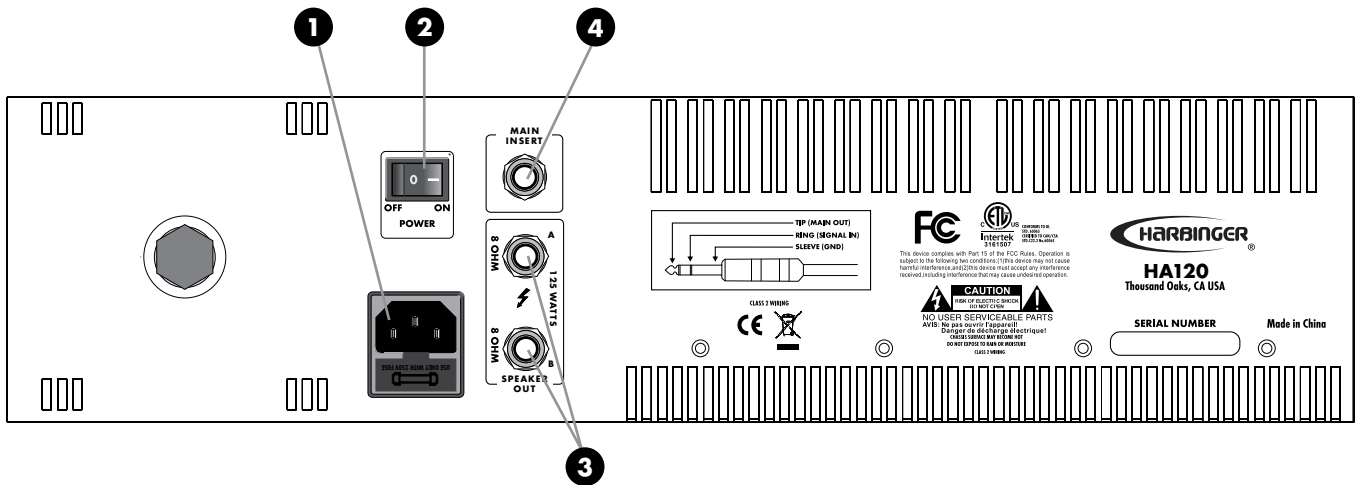
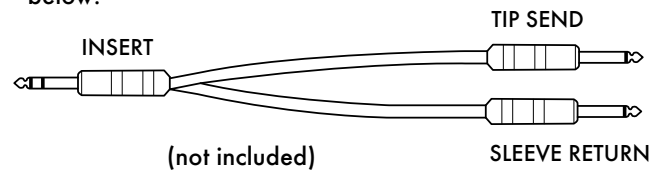


Rear Panel

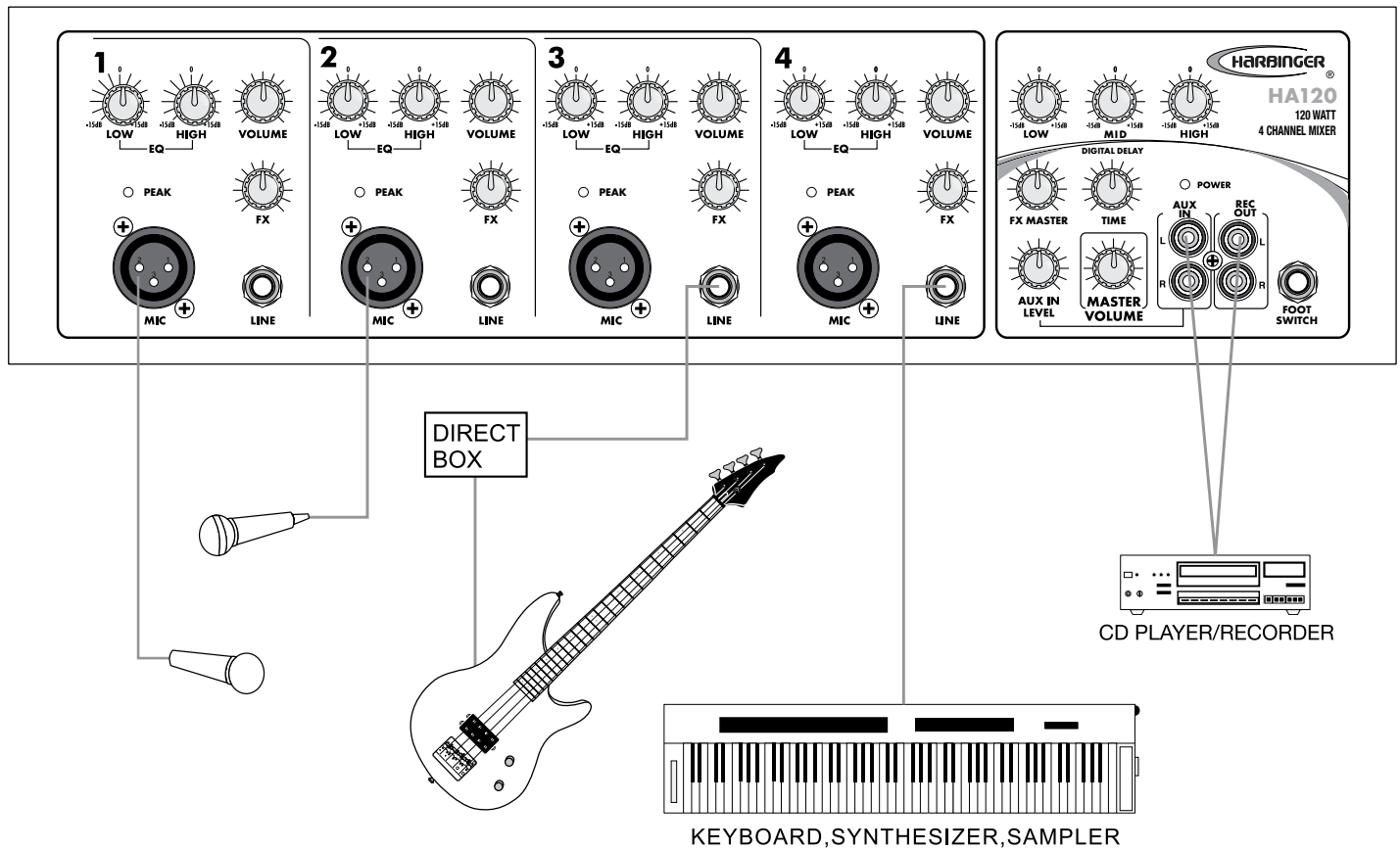
- 1 AC POWER SOCKET**
Accepts the removable power cable.
- 2 POWER SWITCH**
This switches the powered mixer on and off. While on, the blue LED indicator on the front panel is lit.
- 3 SPEAKER OUTPUT JACKS**
Connect both speakers to these jacks. The minimum impedance load is 4 Ω. Do not connect more than two 8 Ω speakers or damage may occur.

- 4 MAIN INSERT**
This unbalanced insert point is a break between the main out and the built-in amplifier to allow the main output to be sent to an external signal processor. The insert is a 1/4" TRS phone jack which is normally bypassed. When a jack, such as the one below, is inserted, the signal path is broken.

The main output signal appears on the TIP of the plug and the external signal is returned on the RING. An unbalanced 1/4" insert cable is required to connect to equipment with separate send and return jacks as shown below:

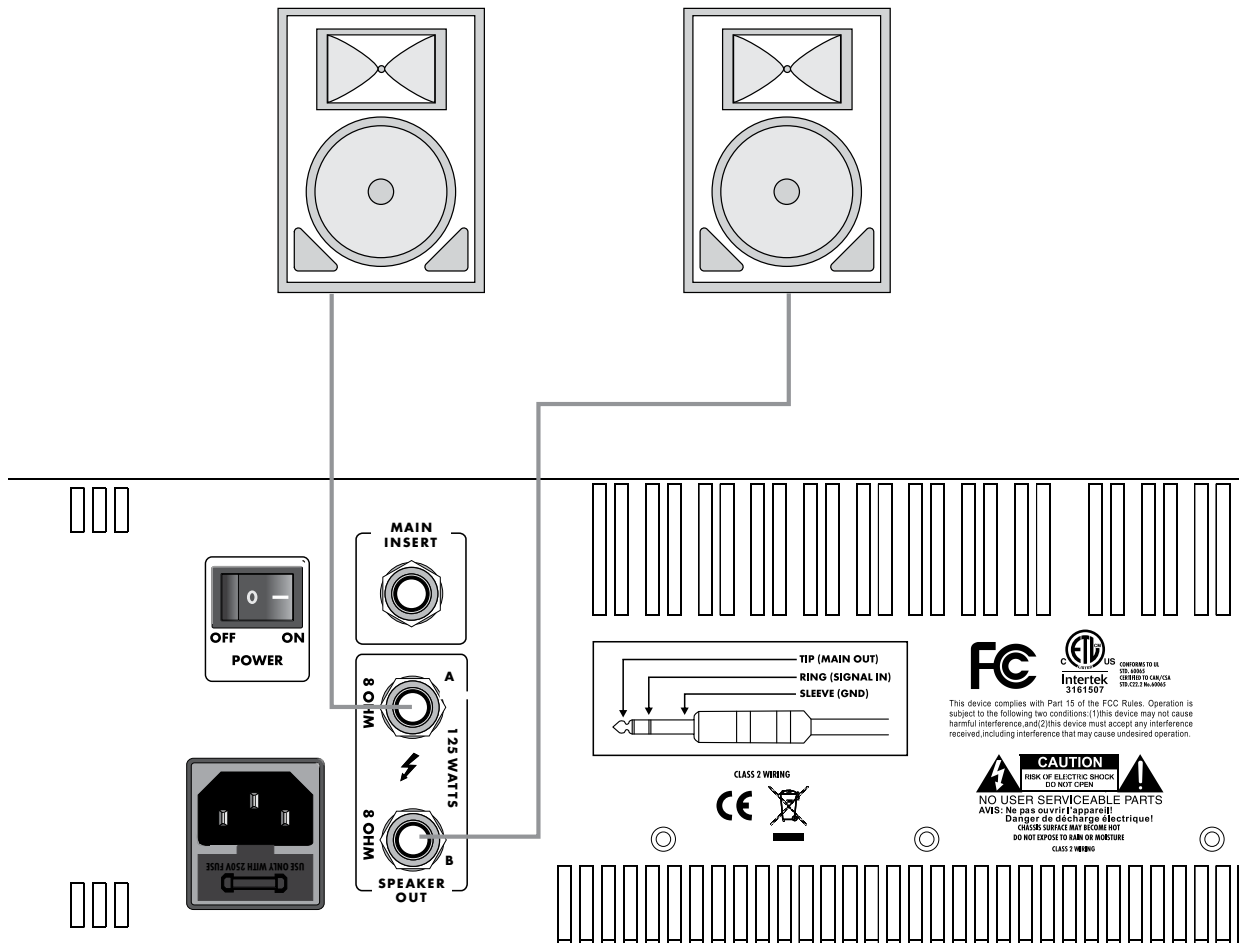


General Application (Input)



General Application (Output)

PA SPEAKERS



CAUTION: Minimum 4Ω load. Use a maximum of two 8Ω speakers.

Power Amp Specifications

POWER AMP

Max Output Power:	120 Watts (@ 4Ω) 88 Watts (@ 8Ω)
-------------------	-------------------------------------

INPUTS

Balanced mono:	4 Mic/line channels 2 Aux Inputs
----------------	-------------------------------------

OUTPUTS

Record Out:	RCA Pair
-------------	----------

CHANNEL STRIPS (4)

Volume Controls:	Rotary
------------------	--------

MASTER SECTION

Rotary Fader:	Master
---------------	--------

BUILT-IN DIGITAL EFFECT

Digital Delay:	(2-150ms)
----------------	-----------

NOISE

Master output (all faders down):	-86dBu
Power amp output (all faders down):	-55dBu

THD

@120 Watts:	<1%
-------------	-----

CROSSTALK (1KHZ@ 0DBU)

Channel fader down <	-63dB
----------------------	-------

FREQUENCY RESPONSE (MIC INPUT TO OUTPUT)

20Hz to 20kHz line level output @+4dBu into 600Ω +1/-3dB
20Hz to 20kHz power amp output- 1 watt into 8Ω +1/-3dB

SENSITIVITY @ MIXER OUTPUT +4DBU

Mic/Line:	-50dBu/-35dBu
Tape in:	-6dBu

CHANNEL EQUALIZATION

2 band +/-15dB	
Low EQ:	80Hz Shelving
Hi EQ:	12kHz Shelving

MASTER EQUALIZATION

3 band +/-15dB	
Low EQ:	80Hz Shelving
Mid EQ:	1kHz Peak
Hi EQ:	12kHz Shelving

MICROPHONE PREAMP E.I.N.

(150Ω terminated, max gain)	-122dBm
-----------------------------	---------

POWER REQUIREMENTS

AC120 ~ 50/60Hz

DIMENSIONS

H 8.85" x W 18.9" x D 5.9"

WEIGHT

19 lbs.

Speaker Specifications

RMS POWER HANDLING

80W / 8Ω

PEAK POWER HANDLING

110W / 8Ω

IMPEDANCE LOAD

8Ω

HORN CONSTRUCTION

Compression Driver

WOOFER CONSTRUCTION:

12" cone diaphragm

MAGNET WEIGHT

30 oz

CROSSOVER

3.8K / -12dB per octave

FREQUENCY RESPONSE

40Hz-20kHz

MAX SPL

116dB

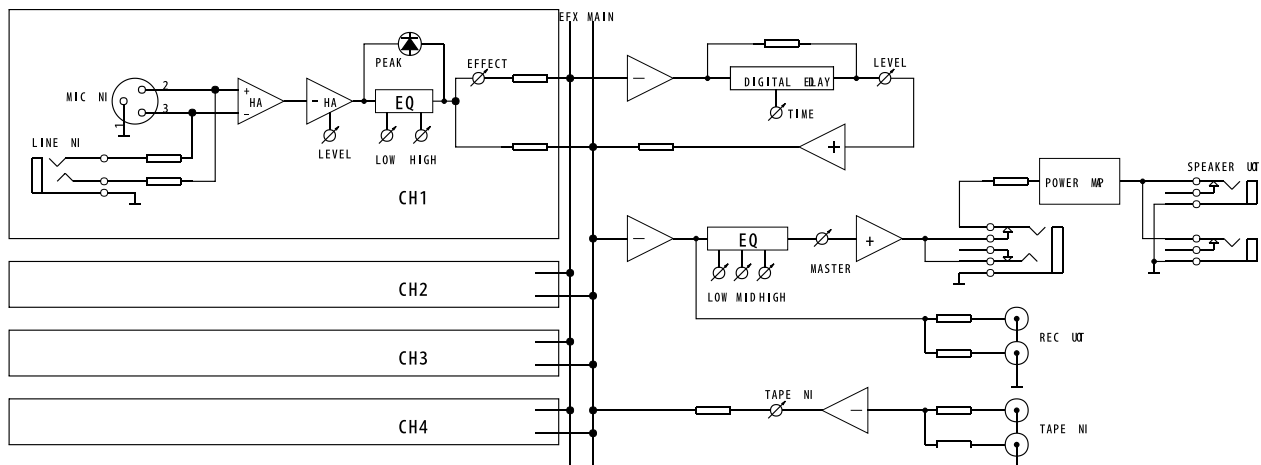
DIMENSIONS OF SPEAKER BOX

H 23.2" x W 14.4" x D 12.8"

NET WEIGHT

25.5 lbs (per speaker box)

Block Diagram



Warranty

So we may serve you better, please register on-line at www.HarbingerProAudio.com



Harbinger Limited Warranty Harbinger provides to the original purchaser a two (2) year limited warranty on materials and workmanship on Harbinger cabinets and loudspeaker components from the date of purchase.

If your covered product is defective, return the defective system to your reseller for in-store exchange, or contact **support@harbingerproaudio.com**. If you are uncertain which component is defective, or to obtain instructions for removing a component, please contact Harbinger Support Headquarters at the above e-mail address for assistance or visit our website at www.harbingerproaudio.com.

This warranty does not cover service or parts to repair damage caused by neglect, abuse, normal wear and tear and cosmetic appearance to the cabinetry not directly attributed to defects in materials or workmanship. Also excluded from coverage are damages caused directly or indirectly due to any service, repair(s), or modifications of the cabinet, which have not been authorized or approved by Harbinger. This two (2) year warranty does not cover service or parts to repair damage caused by accident, disaster, misuse, abuse, burnt voice-coils, over-powering, negligence, inadequate packing or inadequate shipping procedures. The sole and exclusive remedy of the foregoing limited warranty shall be limited to the repair or replacement of any defective or non-conforming component. All warranties including, but not limited to, the express warranty and the implied warranties of merchantability and fitness for a particular purpose are limited to the two (2) year warranty period. Some states do not allow limitations on how long an implied warranty lasts, so the above limitation may not apply to you. There are no express warranties beyond those stated here. In the event that applicable law does not allow the limitation of the duration of the implied warranties to the warranty period, then the duration of the implied warranties shall be limited to as long as is provided by applicable law. No warranties apply after that period.

Retailer and manufacturer shall not be liable for damages based upon inconvenience, loss of use of product, loss of time, interrupted operation or commercial loss or any other incidental or consequential damages including but not limited to lost profits, downtime, goodwill, damage to or replacement of equipment and property, and any costs of recovering, reprogramming, or reproducing any program or data stored in equipment that is used with Harbinger products. This guarantee gives you specific legal rights. You may have other legal rights, which vary from state to state.

Harbinger, P.O. Box 5111, Thousand Oaks, CA 91359-5111

All trademarks and registered trademarks mentioned herein are recognized as the property of their respective holders.

Made in China
1004-9277

www.harbingerproaudio.com

